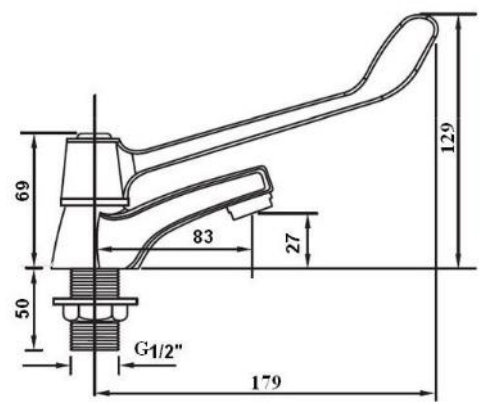
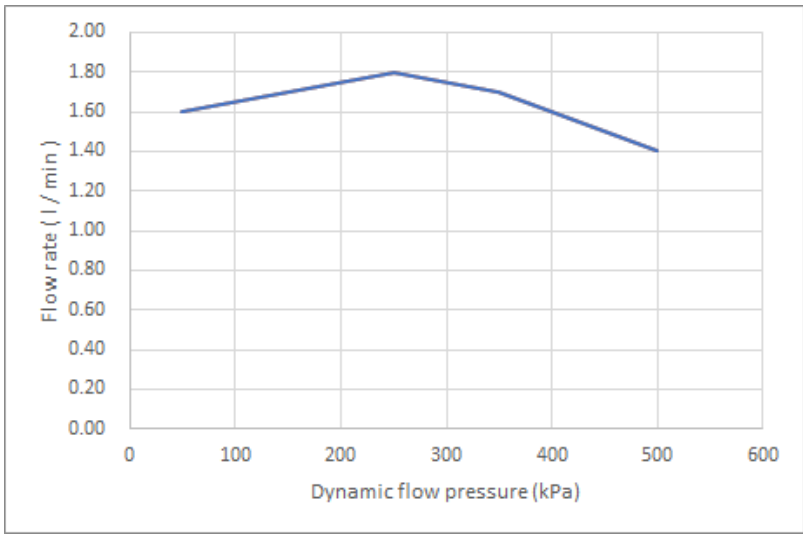




| | | | | | | |
|----------|--|------|--|-----|-----------|--|
| PROJECT | | REF | | REV | ITEM CODE | |
| LOCATION | | DATE | | | PAGE | |

SANITARY WARE SPECIFICATION SHEET

| | | |
|-------------------|--|-----------------------|
| Item Descriptions | Cobra (PRC) Chrome plated elbow action pillar tap, 1/2"; nominated flow rate 1.7 L/min in WELS Grade 1 ; Registration No. TN 22-0104 | Illustration/ Drawing |
| Dimensions | Refer to drawing | |
| Model | 505-21B | |
| Finish | Chrome Plated | |
| Manufacturer | Cobra (PRC) | |
| Supplier | Acme Sanitary Ware Co. Ltd Mr. Eric Wong/ Mr. Don Yuen | |
| Contact Tel/Fax | (852) 2388-7171 / (852) 2710-8012 | |
| E-mail | acme@acmesanitary.com.hk | |
| Website | www.acmesanitary.com.hk | |



| | | | | | |
|-----------------------------|------|------|------|------|------|
| Dynamic flow pressure (kPa) | 50 | 150 | 250 | 350 | 500 |
| Flow rate (l/min) | 1.60 | 1.70 | 1.80 | 1.70 | 1.40 |

Note:

* All information of the above is for the reference only. No prior notice is made if any changes.

註冊號碼 (Registration No.): TN 22-0104




自願參與用水效益標籤計劃 - 水龍頭
Voluntary Water Efficiency Labelling Scheme - Water Taps



茲證明
This is to certify that

將下列水龍頭在本計劃內註冊：
has registered the following water tap under this scheme :

| | | |
|--------------------------------|---|--|
| 牌子 / Brand | : | Cobra + Neoperl |
| 型號 / Model | : | 505-21B + 40.1059.00000 |
| 種類 / Type | : | Non-mixing |
| 原產地 / Country or Region Origin | : | China (Tap) Germany (Flow Controller) |

| | | | |
|---|---|---|--------------------------------|
| 在用水效益標籤上展示的標誌 <i>Symbolic Presentation on the Water Efficiency Label</i> | : |  | 滴水點 <i>Water droplet(s)</i> |
| 用水效益級別 <i>Water Efficiency Grade</i> | : | 1 | |
| 耗水量 <i>Water Consumption</i> | : | 1.7 | 公升/分鐘 <i>litres/minute</i> |

簽發日期: 11 November 2022
Date of Issue:

 水務署
Water Supplies Department



水務署署長(林麗恒代行)
for Director of Water Supplies



水務署
Water Supplies Department

總部 Headquarters

香港灣仔告士打道七號入境事務大樓 48 樓

Immigration Tower, 7 Gloucester Road, Wan Chai, Hong Kong



SD 3321/2022 T/J(880/2022)

電話 :

Tel.

傳真 :

Fax.

2824 0578

23 August 2022



Approval of "COBRA" Pillar Tap (General Acceptance No. C20220787)

Your letters dated 27 July 2022 and 5 August 2022 refer.

Having considered the test report ref. BC-SUMMARY-2022-062 issued on 14 June 2022 by Castco Testing Centre Limited, this Authority accepts that the fitting described below complies with, and its use when correctly installed does not contravene, the Waterworks Ordinance and Regulations.

Name of Manufacturer: Taizhou Fengying Sanitaryware Co Ltd

Country of Origin: the Mainland of China

Brand: Cobra

Details of Fitting: 1/2" Deck mounted pillar tap

Model: 505-21B

Body Markings:



Expiry Date: 29 May 2027

This Authority hereby permits the use of the above fitting in fresh water plumbing systems subject to full adherence to Waterworks installation requirements.

A condition of this acceptance is that the fitting to be installed shall be replicas of the sample as certified by the testing agent mentioned above and without modifications. This acceptance may be withdrawn at any time if the standard of the fitting installed fails to meet that of the approved sample or if the fitting is found to be unsuitable for use in fresh water plumbing systems.

This acceptance is only applicable to the main body of the fitting, unless otherwise specified.

For the use of the fitting in any project, the General Acceptance Number of this letter must be quoted as a means of identification of acceptance of the fitting by this Authority.

Should you have any enquiries, please contact our Engineer Ms Winnie LO at tel. no. 3583 4086.

Yours faithfully,



(YAU Hau Yin)

for Director of Water Supplies

Encl.

c.c. WSD 3321/1/82] - without catalogue
 ME/MC] - with soft copy only